

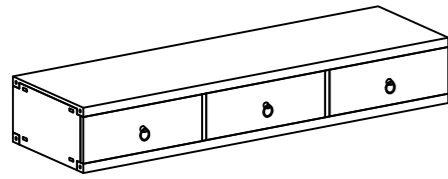
# ASSEMBLY INSTRUCTION

## 5701XXX 3 DRAWER CONSOLE TABLE

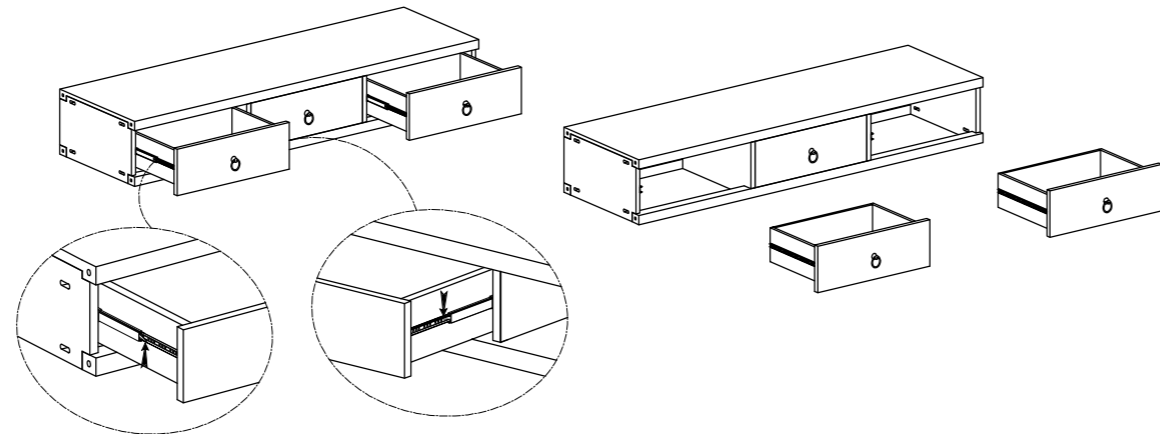
### PART LIST

**DO NOT FULLY TIGHTEN SCREWS AND NUTS UNTIL THE ENTIRE ITEM IS COMPLETELY ASSEMBLED**

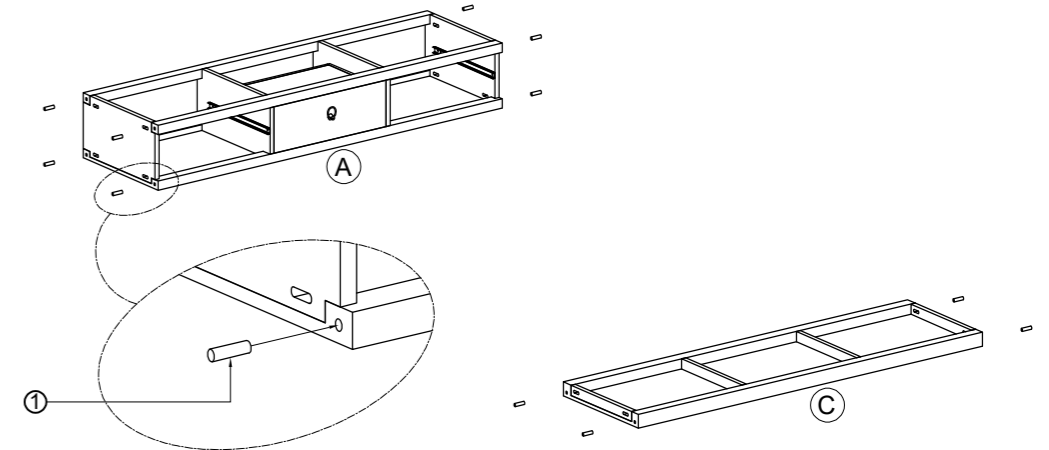
A : 1 pcs



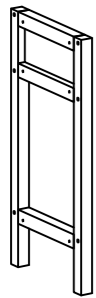
STEP: 1



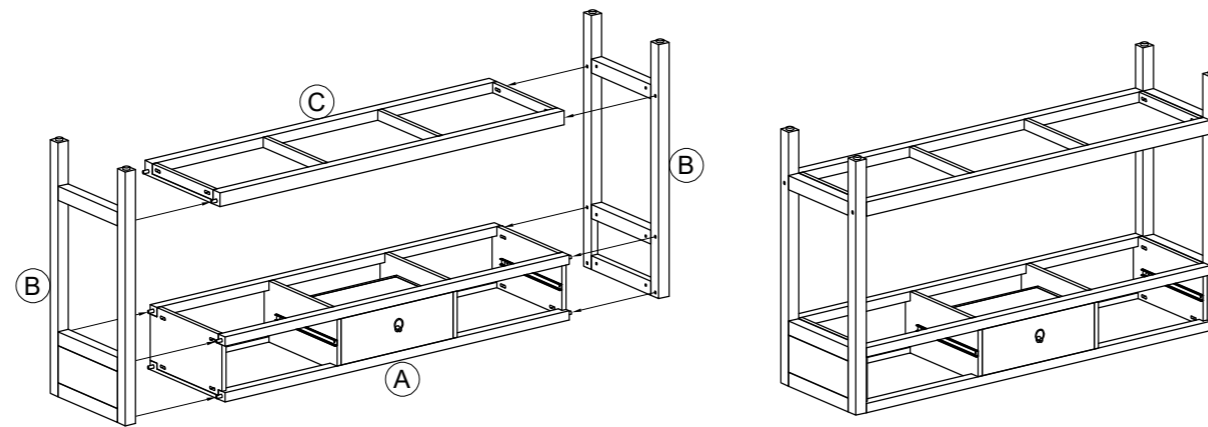
STEP: 2



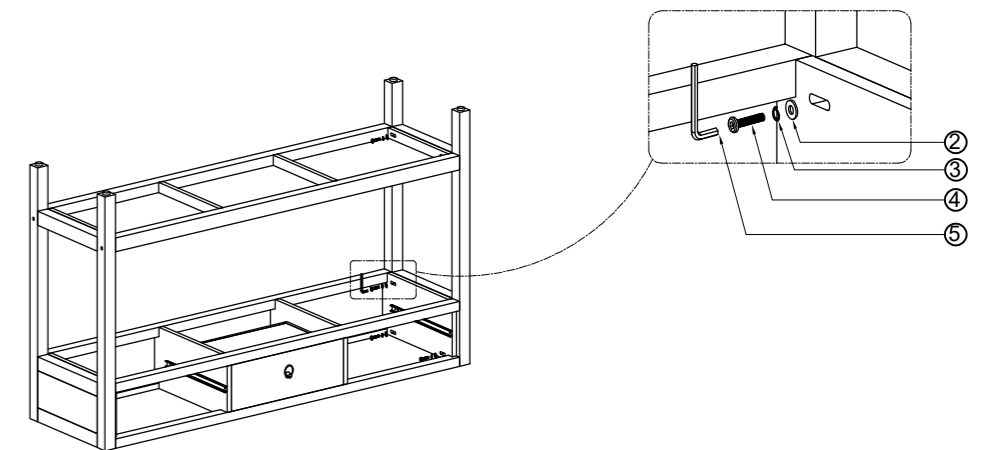
B : 2 pcs



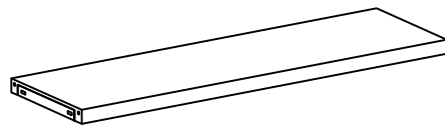
STEP: 3



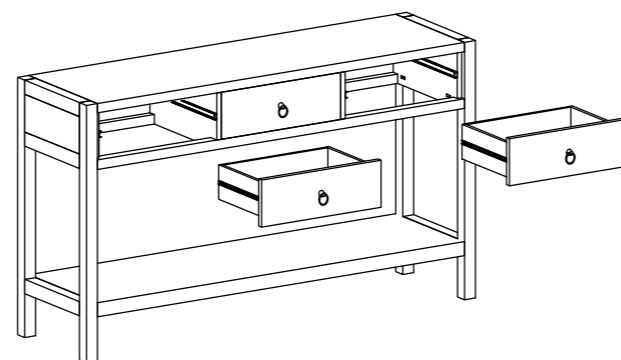
STEP: 4



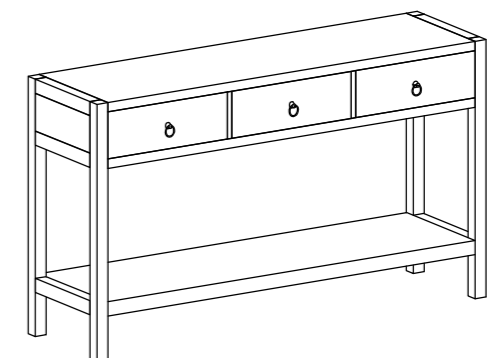
C : 1 pcs



STEP: 5



STEP: 6



### HARDWARE LIST

NO	QUANTITY	PICTURE	QTY
1	Wooden Dowel 10x40		12
2	Block washer M8x19		12
3	Flat washer M8		12
4	Bolt M6 x 40		12
5	Key		1